

Dorsey's universal measuring gage was designed to combine our proven patented precision linear movement with a frame that accommodates a wide variety of contacts. This gage can precisely measure various internal and external dimensions such as diameters, grooves, splines, tapers, wall thickness, counterbores, hole locations, and even threads.

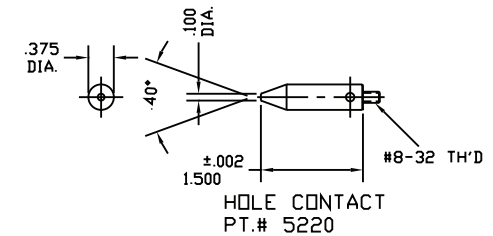
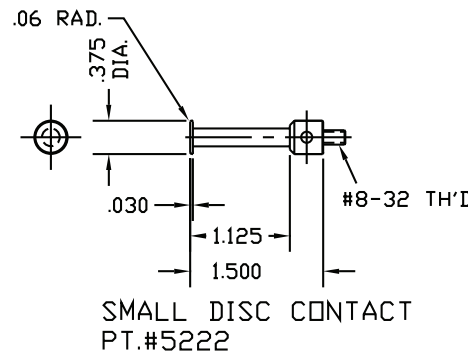
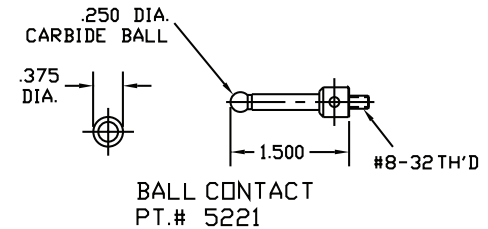
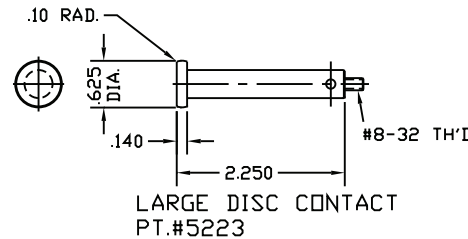
## FEATURES:

- ✓ Patented linear slide with 1" (25.4 mm) of gaging travel / retraction.
- ✓ Indicator can be rotated 360 degrees to suit application.
- ✓ Measurement range up to 5" ID / 2/5" OD.
- ✓ Lightweight precision machined jig plate frame.
- ✓ Can accommodate dial or digital indicators.

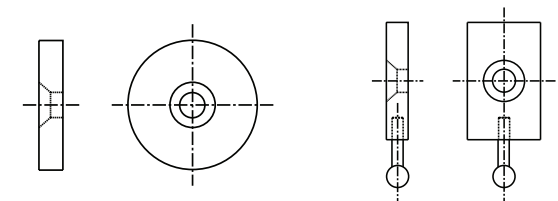
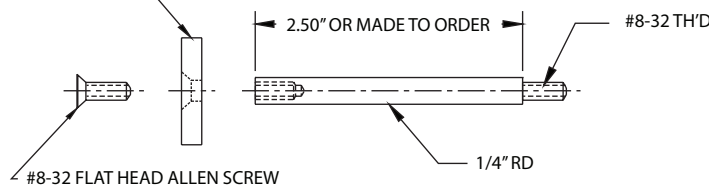


*\*Indicator sold separately*

MODEL	DESCRIPTION
UG-1	Universal gage complete with standard disc contact (part #5211-2)
UG-KIT	Universal gage complete with standard disc contact, ball contacts, .25" disc contacts, and digital indicator.
48502-S	Bench Stand for UG



DIAMETER, LENGTH AND DEPTH CONTACT  
MADE TO THE GROOVE APPLICATION



*Contact designed specific to groove which can be manufactured by Dorsey for the customer, Send print part, Dorsey will help with the contact design.*